

DOMINO

PEOPLE SLIM



zonzini[®]

STAIRCLIMBERS

**THE SAFEST
ASSISTED
STAIRCLIMBER IN
ITS CATEGORY**

zonzini[®]
STAIRCLIMBERS

DOMINO
PEOPLE SLIM

- Suitable for transporting manual wheelchairs up to 160 kg
- Equipped with wheels for movement within rooms
- Automatic tilt of the wheelchair on the stairs
- Independent tracks to tackle spiral staircases
- Ability to rotate 360 degrees on landings
- It can be dismantled to reduce the overall dimensions
- Special tracks suitable for all surfaces, even the most delicate ones.



Same technology...

DOMINO
PEOPLE

- Suitable for transporting manual wheelchairs up to 400 kg
- Equipped with puncture-resistant tyres for indoor and outdoor displacement
- Automatic tilt of the wheelchair on the stairs
- Independent tracks to tackle spiral staircases
- Ability to rotate 360 degrees on landings
- It can be dismantled to reduce the overall dimensions
- Special tracks suitable for all surfaces, even the most delicate ones.



Different sizes

DOMINO

PEOPLE SLIM

Domino People Slim enables to transport manual wheelchairs up to 160 kg. It is particularly suitable for private homes with one or more staircases.



DOMINO
PEOPLE SLIM





Automatic tilt of the wheelchair



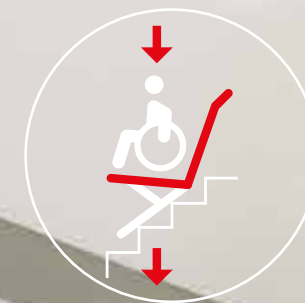
Movement on flat surfaces
both indoors and outdoors.

DOMINO

PEOPLE SLIM

Nothing prevents us from using it even on external stairs if the flooring allows it.
It is equipped with smaller wheels, suitable for well-finished surfaces, but the special mix tracks adapt perfectly both to indoor and outdoor surfaces.



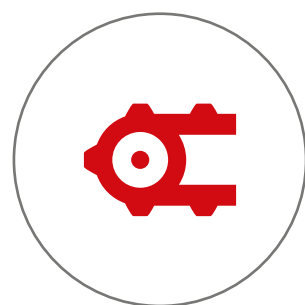


Wheelchair always well-balanced and safe.

DOMINO

PEOPLE SLIM

Domino People Slim is ideal to move comfortably and safely in all rooms of the house, going up or down stairs inside the house to reach for instance the bedroom, or outdoors to reach the garden.



Independent non-slip tracks



Safety first.

DOMINO

PEOPLE SLIM

Every tiniest detail of Domino People Slim has been designed to maximise passenger safety. The advanced, gentle, reliable electronics guarantee maximum travel comfort and the possibility for the operator to vary the stair travel speed as desired by activating the proportional joystick.



One-finger control



TECHNICAL FEATURES



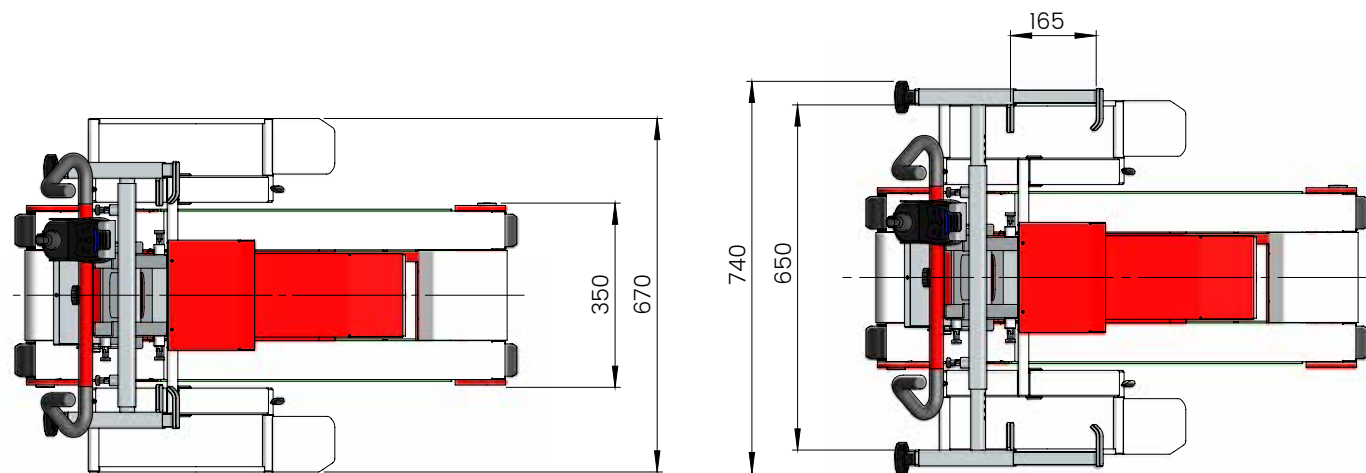
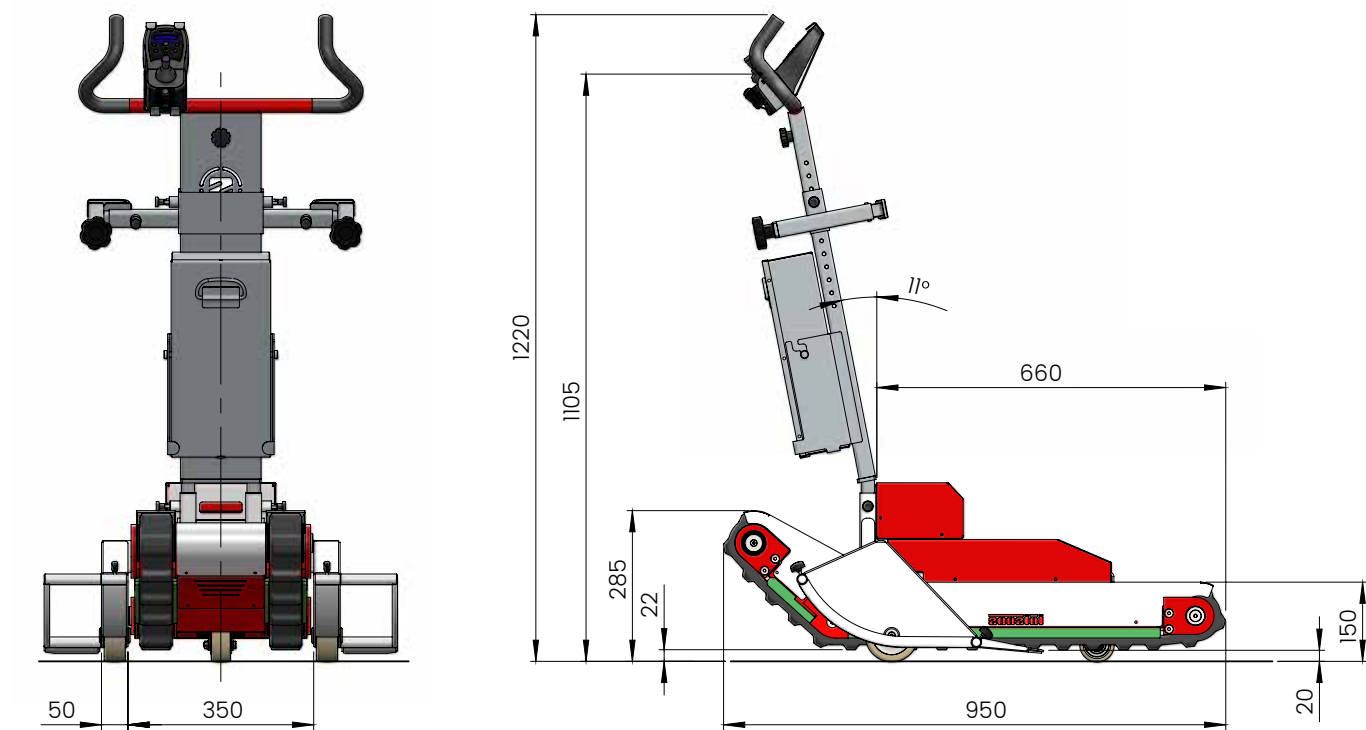


The guides for the larger wheels are compatible with most wheelchairs on the market, but you can request them with custom dimensions in case of extra large wheelchairs.

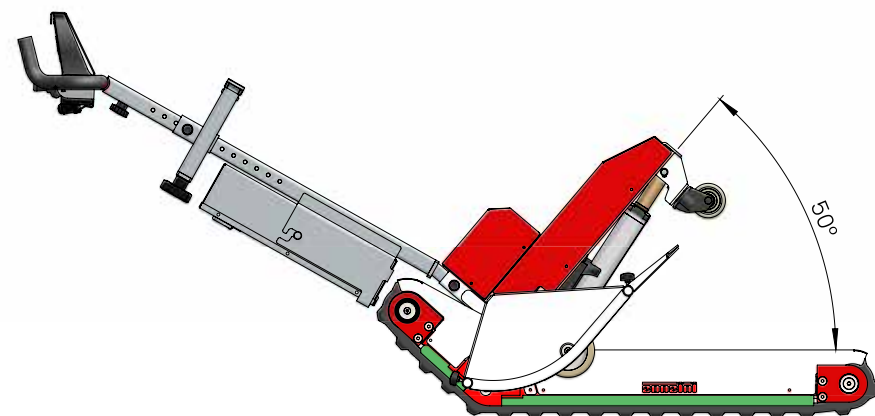
Technology at the service of people

Domino People Slim can be completely dismantled in order to reduce the overall space required for transport and storage..

DIMENSIONS



Maximum widening of the fastening hooks



Maximum load surface tilting position

TECHNICAL DATA

Total weight of the device:
92 Kg (battery included)

Weight of the towing chassis devoid of removable components:
60 Kg

Weight of the battery box:
16,5 Kg

Maximum capacity:
160 Kg

Minimum viable staircase width:
78 cm

Minimum space for manoeuvre on the landing:
Refer to the graphs with the minimum dimensions shown in the catalogue (pages 46-47)

Load surface tilting:
Automatic and Manual (double operating mode)

Wheelchair wheel armrests:
Removable and possibly customisable for extra large wheelchairs

Movement on surface:
Manual, on sliding wheels/Motorised, by means of independent tracks

Supply voltage:
24 V

Charging voltage:
110-230 V

Tracks speed:
6 metres per minute

Autonomy with 1 charge:
About 500 steps

Usage temperature:
From 5 to 40 °C

Maximum permissible stairs inclination:
35°

Irreversible gear motors by means of electromagnetic brake

Advanced electronics with soft start and proportional joystick

Independent track drive:
possibility of 360-degree rotation with the tracks

Increased track section compared to traditional track stairlifts for greater grip and safety.

* Zonzini Srl has the right to make changes and / or improvements to the products and / or components at any time, even without prior notice.

DOMINO

PEOPLE

Domino People enables to transport manual and electronic wheelchairs up to 400 kg. It is particularly suitable for public buildings such as municipalities, schools, hospitals, but also retirement homes, banks and condominiums.



DOMINO
PEOPLE



DOMINO

PEOPLE

Thanks to the "Automatic" load management technology, the wheelchair is automatically tilted on the stairs, thus making transport easier and safer. In addition, the tracks are suitable for both indoor and outdoor surfaces, so it is possible to travel up and down stairs made of virtually any material, even with irregular steps and of different height.



No restriction on the height of the steps, since it is possible to travel even on irregular stairs.

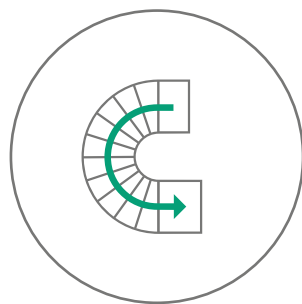


DOMINO

PEOPLE

Thanks to the independent tracks and the advanced electronics it is also possible to go up and down spiral staircases.

The operator only needs to correct the trajectory by moving the joystick so as to adapt to the type of stairs in question.



The independent tracks with double electric motor guarantee maximum manoeuvring comfort even in narrow spaces.

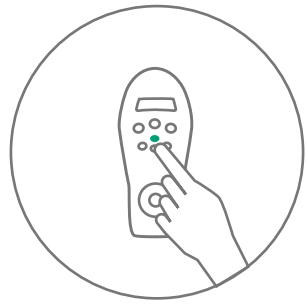


DOMINO

PEOPLE

It is possible to correct at any time the safety angle of the wheelchair preset by the electronics. This may be necessary to tackle particularly steep stairs or particularly heavy wheelchairs.

The control for the correct positioning of the wheelchair, both for Domino People and Domino People Slim, is always the operator's first task before continuing the journey on the stairs, when going up and down.



Simply press the "M" button on the control to set a new inclination of the wheelchair





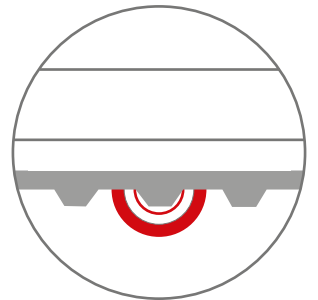
Maximum manoeuvrability.

DOMINO

PEOPLE

Domino People gives the freedom to move on several types of staircases, both indoors and outdoors, whether straight or spiral, without ever having to get out of the wheelchair.

It is pushed from one step to another with puncture-resistant tyres and it adapts perfectly to steps of any height and shape.





Wheelchair always well-balanced and safe.



DOMINO

PEOPLE

Feeling safe during transport on stairs also allows you to enjoy the most pleasant moments of the ride. Security and reliability are key components of Domino People and Domino People Slim

TECHNICAL FEATURES



Domino People has telescopic ramps to facilitate access of all types of wheelchair.



Access to the load surface must always be in reverse.



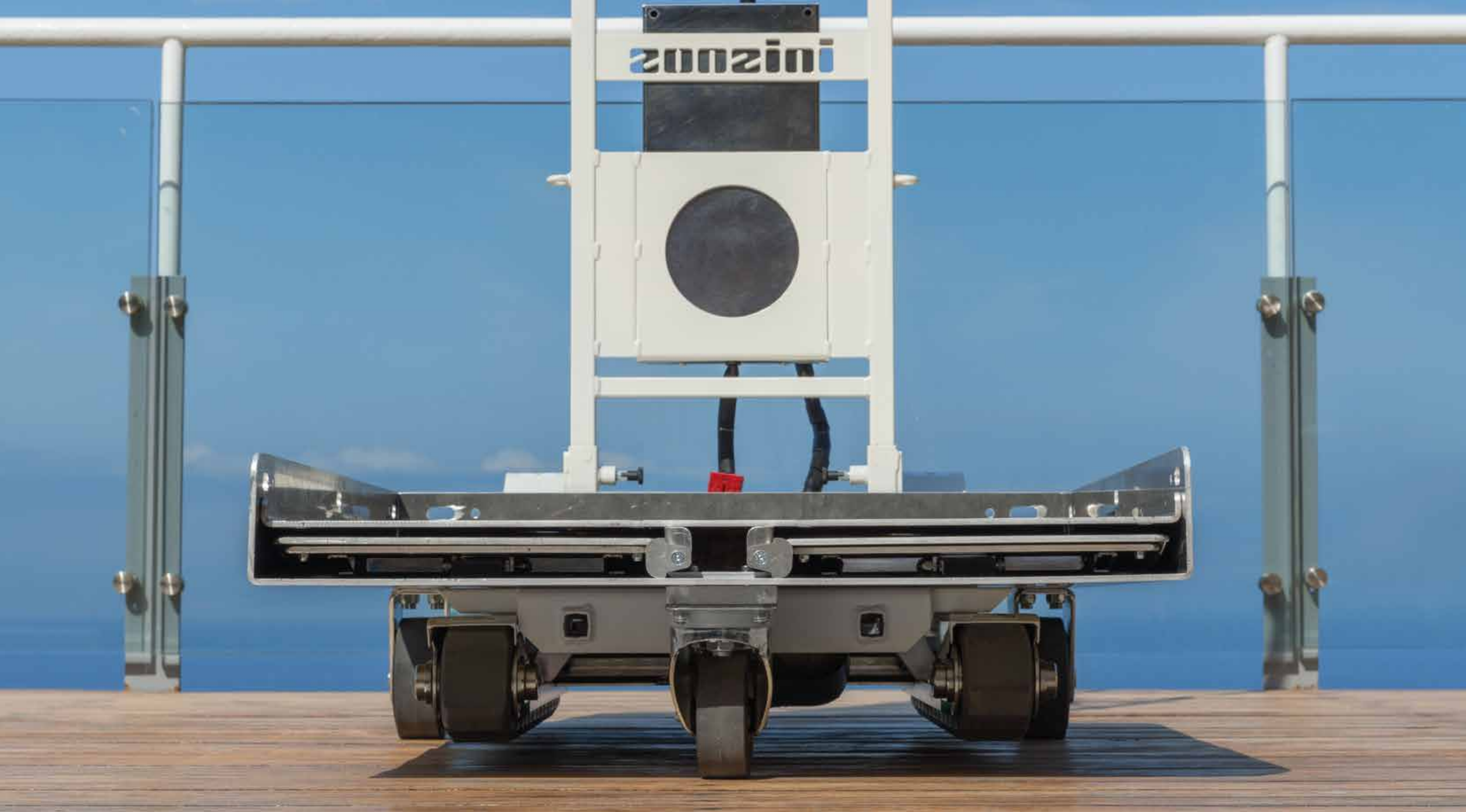
The telescopic ramps are equipped with mechanical supports in the middle, in order to support heavy loads and have excellent durability over time.



Secure the wheelchair using the supplied straps and store the telescopic ramps in the appropriate housings.

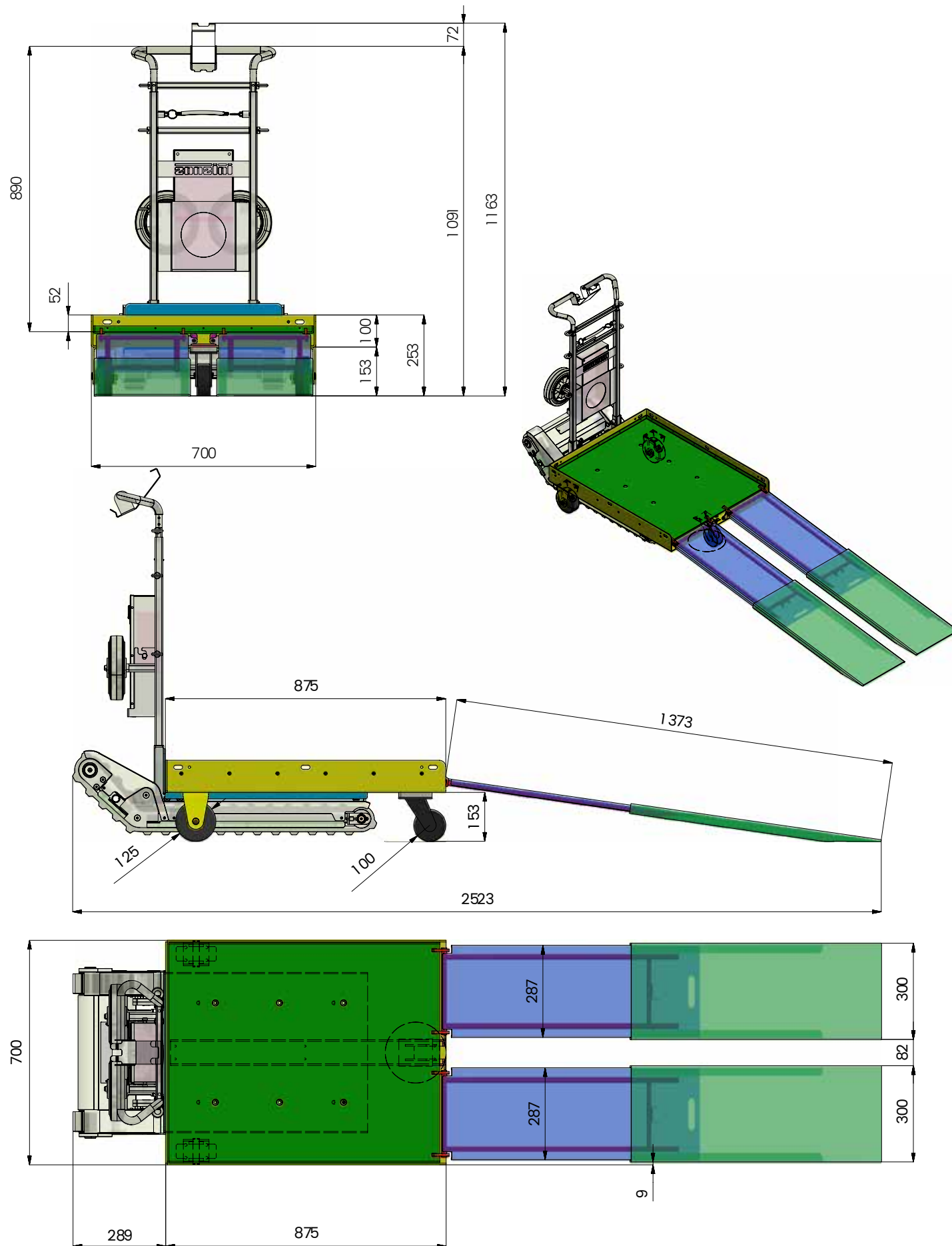


It is possible to order a load surface with customised dimensions to better adapt to specific wheelchairs.



When not working on stairs with the tracks, the three wheels with which Domino People and Domino People Slim are equipped always rest on the ground to facilitate movement from one step to another.

DIMENSIONS



TECHNICAL DATA

Total weight of the device:
130 Kg (battery included)

Weight of the towing chassis devoid of the removable control handle:
62 Kg

Weight of the detachable control handle without battery:
9,6 Kg

Weight of the battery box:
16,5 Kg

Maximum capacity:
400 Kg

Minimum viable staircase width:
85 cm

Minimum space for manoeuvre on the landing:
Refer to the graphs with the minimum dimensions shown in the catalogue

Load surface tilting:
Automatic and Manual (double operating mode)

Wheelchair loading platform:
Standard dimensions width 70 cm, depth 87.5 cm. Possibility of customisation for different needs.

Movement on surface:
Manual, on sliding wheels/Motorised, by means of independent tracks

Supply voltage:
24 V

Charging voltage:
110-230 V

Tracks speed:
4 metres per minute

Autonomy with 1 charge:
about 300 steps

Usage temperature:
from 5 to 40 °C

Maximum permissible stairs inclination:
35°

Irreversible gear motors by means of electromagnetic brake

Advanced electronics with soft start and proportional joystick

Independent track drive:
possibility of 360-degree rotation with the tracks

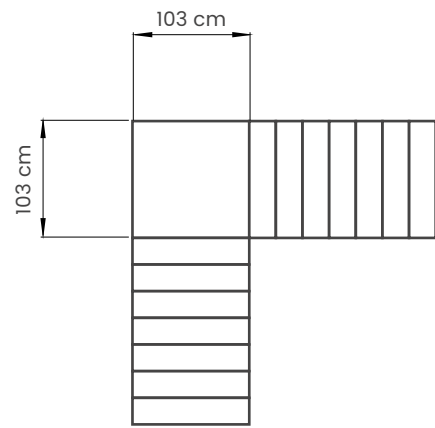
Increased track section compared to traditional track stairlifts for greater grip and safety.

* Zonzini Srl has the right to make changes and / or improvements to the products and / or components at any time, even without prior notice.

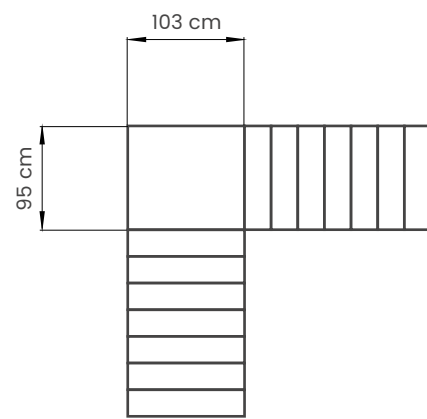
ROTATION ON LANDING

Trolley rotation space with wheelchair **WITHOUT** front footrests

1) Rotation with wheels:

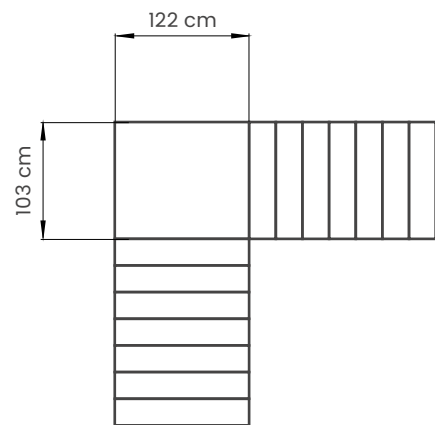


2) Rotation with tracks:

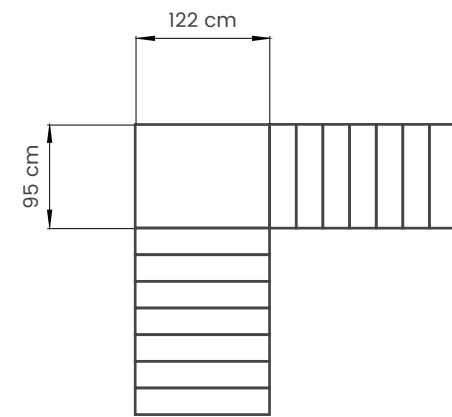


Trolley rotation space with wheelchair **WITH** front footrest* (standard manual wheelchair)

1) Rotation with wheels:



2) Rotation with tracks:

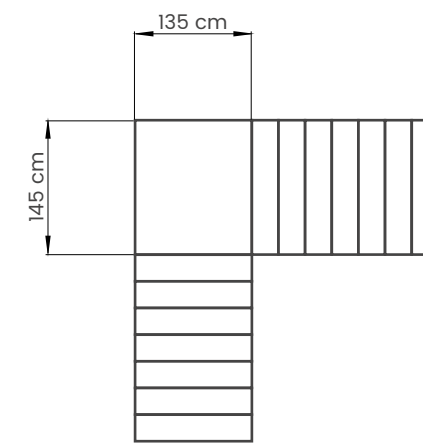


* Manual standard wheelchair dimensions:
length 106 cm
width 63 cm
The measurements are indicative only and not binding.

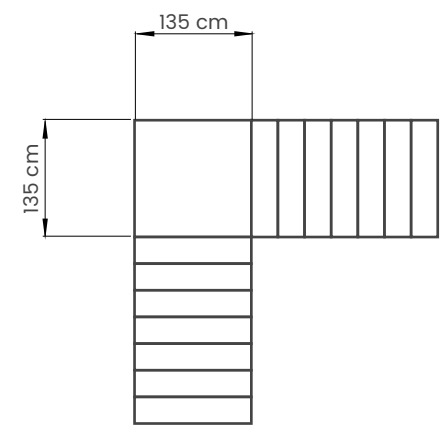
ROTATION ON LANDING

Trolley only rotation space **WITHOUT** wheelchair with standard loading platform*

1) Rotation with wheels:



2) Rotation with tracks:



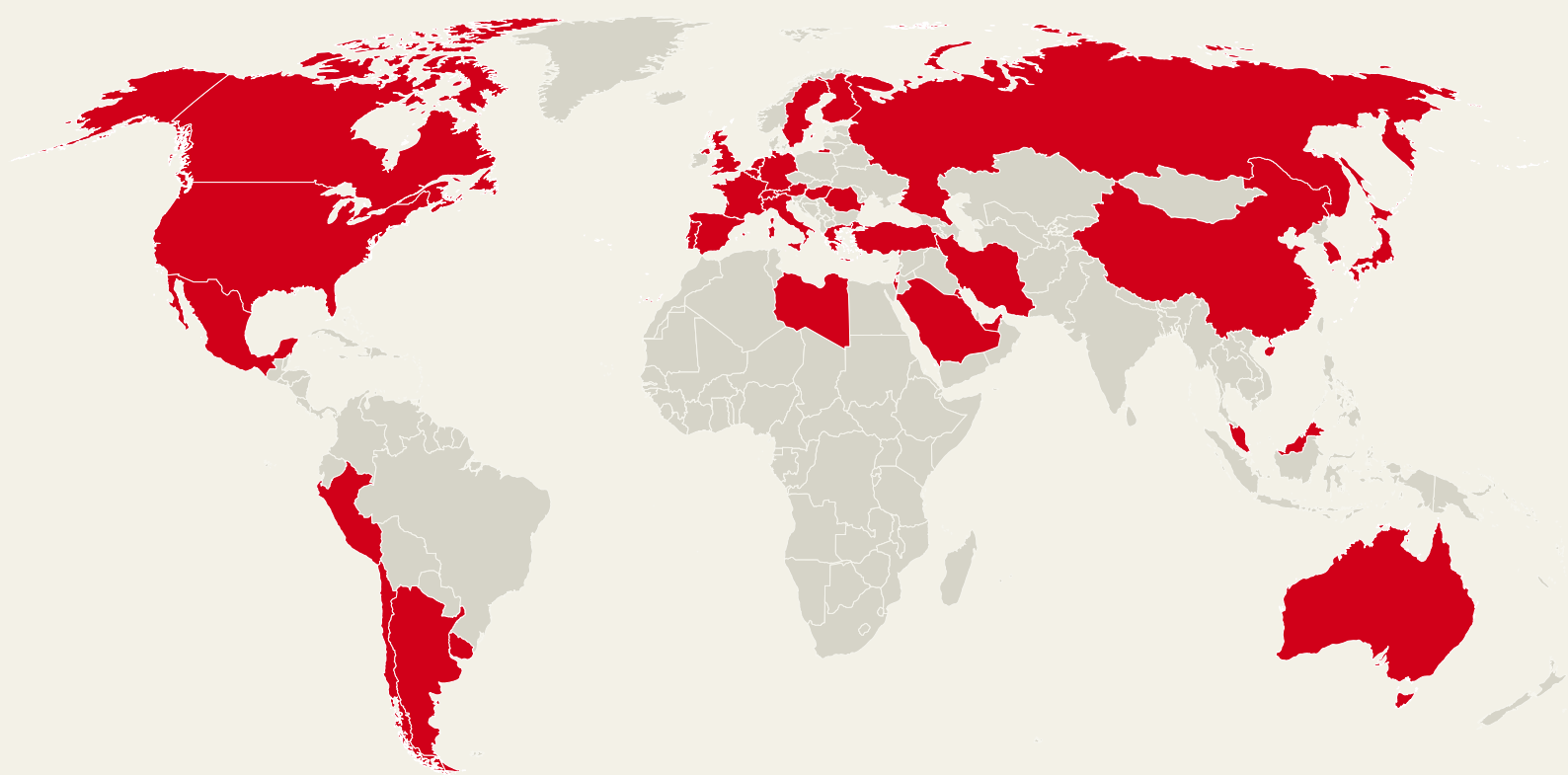
Trolley rotation space with wheelchair

Not applicable due to the variety of models of electronic wheelchairs on the market.

* Without wheelchair with standard loading platform dimensions:
length 70 cm
depth 88 cm
The measurements are indicative only and not binding.

WE OPERATE WORLDWIDE

We operate internationally with more than 30 countries that have chosen us as a reference for high quality products.



www.zonzini.us



zonzini[®]



ZONZINI SRL
Via Don Luigi Sturzo 8, Z.I.
37052 Casaleone, Verona - Italy
Tel. +39 0442 33 04 21
Fax +39 0442 33 24 06
E-mail: info@zonzini.it



DOMINO

PEOPLE



zonkini[®]

STAIRCLIMBERS

Release 2018