

zonzini®

STAIRCLIMBERS

IBEX

The manual and electric trolley



The new Ibex stair climbing trolley designed Zonzini.

Manual & electric stair climber. 2 in 1

The Ibex stair climbing trolley is equipped with the innovative detachable Zonzini Power Unit, offering unrivalled versatility.

Without the Power Unit installed it is a reliable manual stair climbing trolley with non-marking and scratch-resistant crawler tracks, ideal for all indoor and outdoor surfaces.

However, in less than a minute, by fitting the Power Unit, this trolley is transformed into a powerful electric stair climbing trolley with a load capacity of up to 120 Kg.



The powerful detachable Zonzini Power Unit.

Agile and Smooth

The Ibex manual stair climbing trolley is safe and easy to use, perfect for transporting various types of light loads.

Thanks to its crawler tracks, it guarantees a secure grip on every staircase, without damaging the surfaces.

Unlike conventional manual trolleys with rear skids, it is equipped with high-quality crawler tracks that can also be motorised with the Zonzini Power Unit if required.



Electrical Power at your Fingertips

The Ibex stair climbing trolley has a unique feature; in less than a minute the Zonzini Power Unit is installed and the manual trolley is transformed into an electric stair climbing trolley.

Pure versatility.



The Zonzini Power Unit is compact but extremely powerful. It guarantees a load capacity of up to 120 Kg both uphill and downhill. Installs in less than a minute and comes with a detachable, rechargeable battery box for even easier handling

The speed is fully adjustable via a potentiometer, offering total control. Operation is extremely intuitive, simply select the desired direction: up or down stairs.



On Every Surface

The non-marking crawler tracks adapt to all surfaces without leaving any marks, ensuring smooth handling.

Pneumatic wheels promote smoothness on all internal and external surfaces.

On the staircase, it always rests on at least 4 points, guaranteeing stability and travel comfort.



Practical and Fast

The new Ibex model is the ultimate solution for handling light loads on staircases.

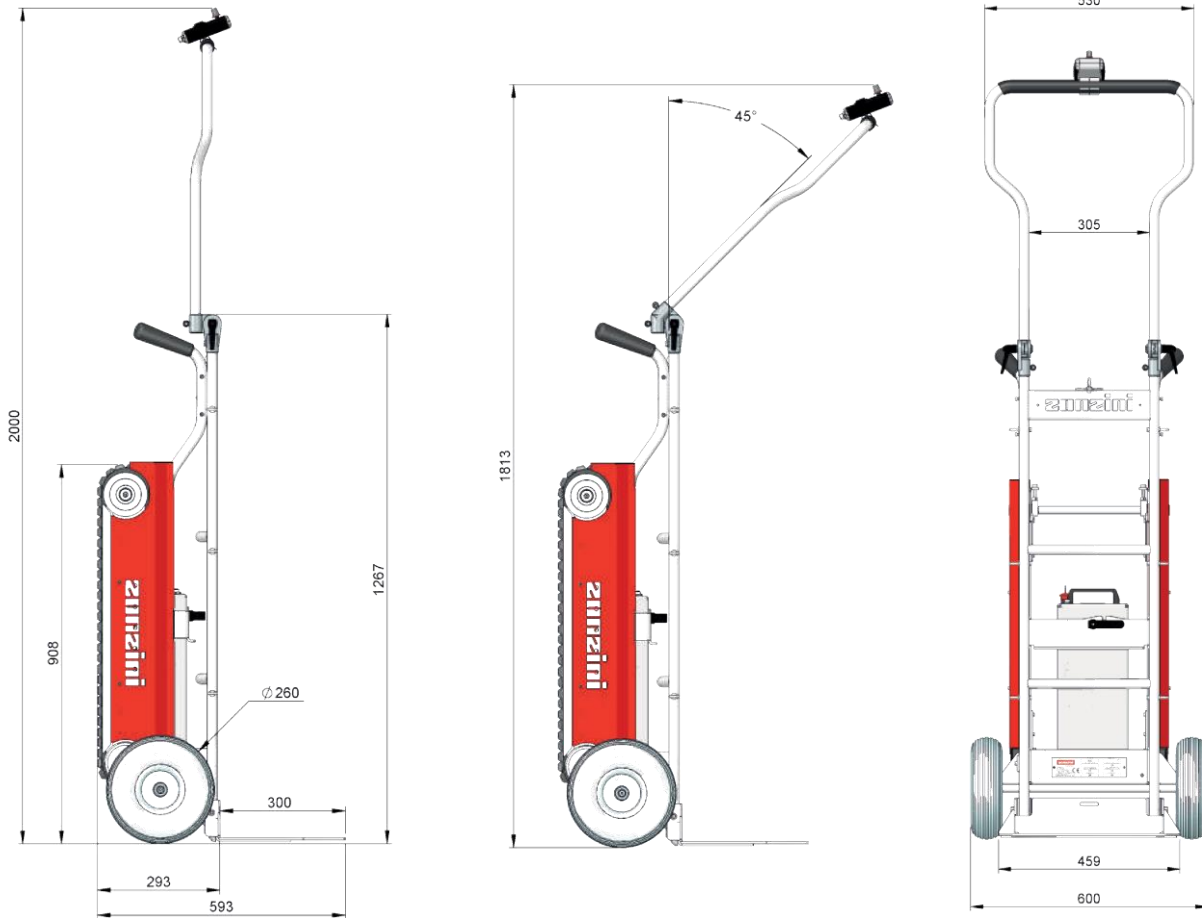
It is very fast and incredibly practical.

It saves time and, above all, avoids unnecessary effort in handling loads on staircases.





STAIRCLIMBERS



Mechanical characteristics	
Dimensions (L x W x H) (mm ³)	All open: 640 x 350 x h 1980 All closed: 640 x 350 x h 1720 All closed, with open platform: 640 x 600 x h1270 All closed, with closed platform: 640 x 350 x h1270
Weight	31 kg (without battery and power unit) 48 kg (with battery)
Electrical characteristics	
Electric motor	24V – 500W
Battery	12 V 20Ah
Rated voltage	24 V D.C.
Rated current	35 A
Battery charger	110/240 V A.C. – 50 Hz – 4A to 24 V D.C.
Other characteristics	
Load surface dimensions	460 mm x 300 mm
Crawler track support length	643 mm
Lead/gel battery weight	17 kg
Load capacity	120 kg
Dimensions of the wheels	260 mm pneumatic
Battery life	Approx. "40" min
Battery charging time	Approx. 5/6 h
Maximum gradeability	45°

Zonzini Srl
Via Caravaggio, 8
37053 Cerea, Verona
Italy

Tel.: +39 0442 330421
Email: info@zonzini.it
PEC (Certified e-mail):
zonzini.pec@pec.zonzini.it
www.zonzini.it

Tax Code and VAT No.: IT 03550540235
R.E.A. (ADMINISTRATIVE ECONOMIC INDEX)
345531
SDI Code: M5UXCR1
Fully paid-up share Capital € 600,000.00